

# Blinds4You

## Measuring Guide for Vertical blinds

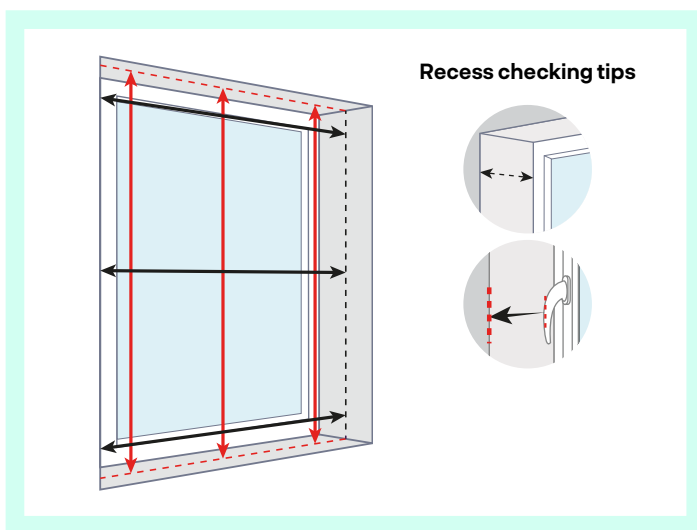
With Blinds4You, measuring for your beautiful new blind is easy. Just follow this step-by-step guide, taking care to double check as you go and look out for some handy tips to help you save time too. Below is a handy guide for measuring for Vertical blinds.

This guide works for:

- Vertical blinds

### Recess fitting

If you want your blind to fit inside the window recess.



This is the measurement you need to take if you want your blind to fit inside the window recess. Measure the full width and height of the recess – leave deductions to our experts. You will get a blind ready to fit inside the recess perfectly.

- **Measure in 3 places** for both the width and the drop, use the **smallest measurements you've taken**
- **Don't make any deductions**; we will do that for you
- **Use a metal tape measure**; cloth ones can stretch and give you inaccurate measurement

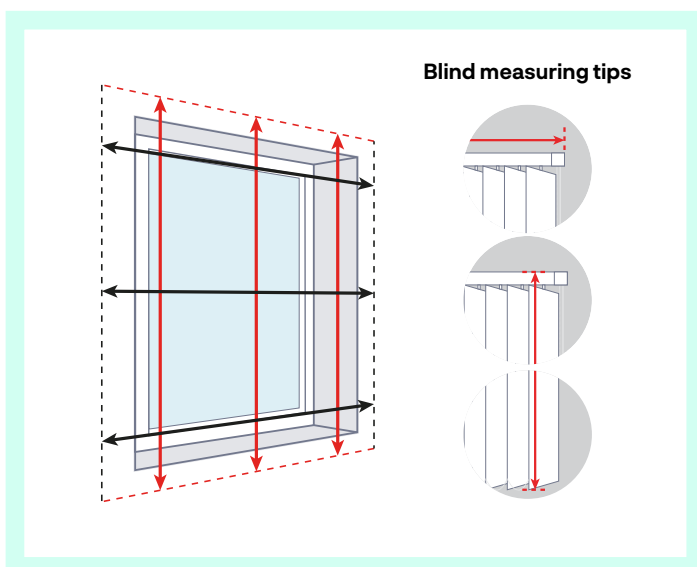
**Handy Tip:** Double check the depth of your recess (see recess checking tips opposite) – is it deep enough to take the blind? Are there any obstructions like handles or ventilation.



Depth needed for Vertical blinds = 75mm

### Exact fitting

If you want your blind to fit outside the window recess.



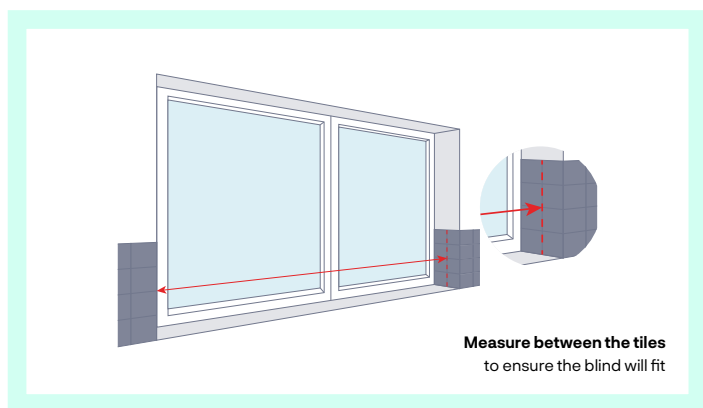
- Measure the recess as shown opposite before adding your extra height and width to each side. We will make your blind to that exact size with no deductions.
- Looking to keep light to the minimum? We recommend you add at least 50mm on either sides and 70mm to the top.
- At the bottom of the blind be aware of hitting protruding objects like sills or radiators. If bringing blind drop to a window sill, we recommend you reduce this measurement by 15mm to give clearance – it stops the fabric slats from dragging.

**Handy Tip:** Are you replacing an existing blind, like for like? Measure the blind including fittings (see blind measuring tips opposite) and use the Exact fitting option – we will make you one the same size.



## Non-standard windows

Fitting inside a part-tiled recess (also for picture rails, skirting boards).



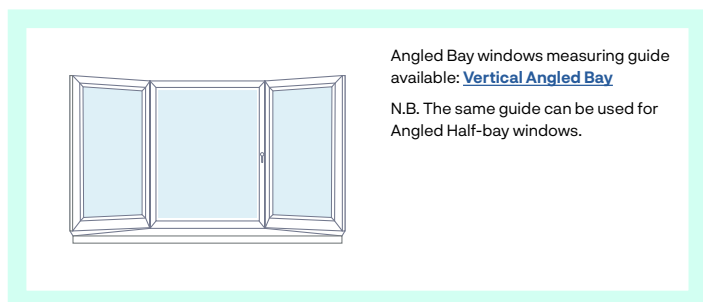
Does your window have tiles up the sides of your recess? These tiles likely reduce the width available compared to a standard recess.

Measure the width between the tiles for your width. Use this method if you have a skirting board, picture rail or something else in the inside of the recess.

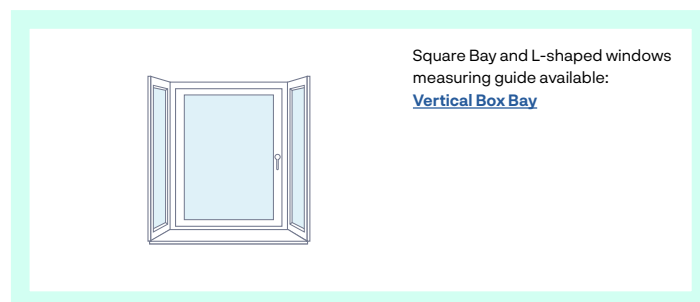
## Bay windows, Half-bays & L-shaped windows

These window styles need a more in-depth look to measure for Vertical blinds. We've created measuring guides dedicated to each. Visit [www.blinds4you.co.uk/pages/list-of-measuring-guides](http://www.blinds4you.co.uk/pages/list-of-measuring-guides)

### Angled Bay windows



### Square Bay and L-shaped windows



Once you have noted your measurements, enter the sizes into [www.blinds4you.co.uk/collections/vertical-blinds](http://www.blinds4you.co.uk/collections/vertical-blinds) and choose your fitting option. We will make your new blind to your sizes and send them out to you ready to fit.