

# Blinds4You

## Measuring Guide for Perfect Fit Venetian blinds

With Blinds4You, measuring for your beautiful new blind is easy. Just follow this step-by-step guide, taking care to double check as you go along. Below is a handy guide for measuring for Perfect Fit Venetian blinds.

This guide works for:

- Perfect Fit Venetian blinds
- Perfect Fit Pleated blinds

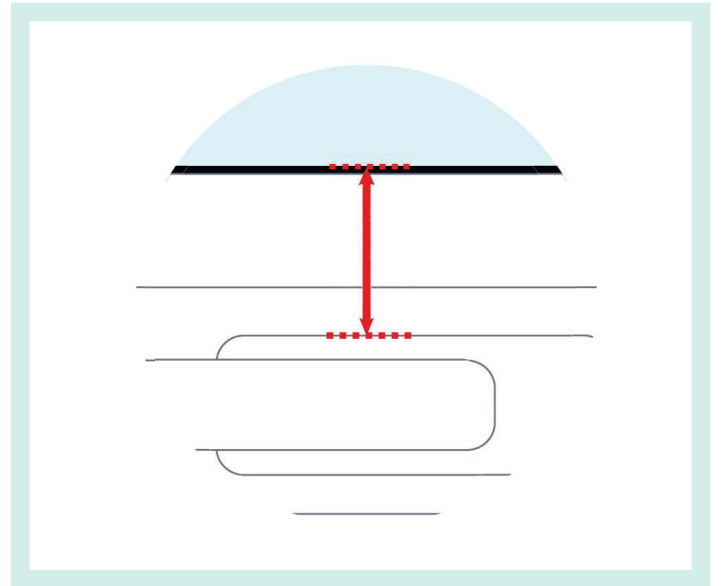
### Perfect Fit blinds

Designed for modern uPVC windows and doors with rubber beading, Perfect Fit blinds are simple to measure for.

**Just grab your pen, notepad, metal measure tape and a bank card and follow these steps.**

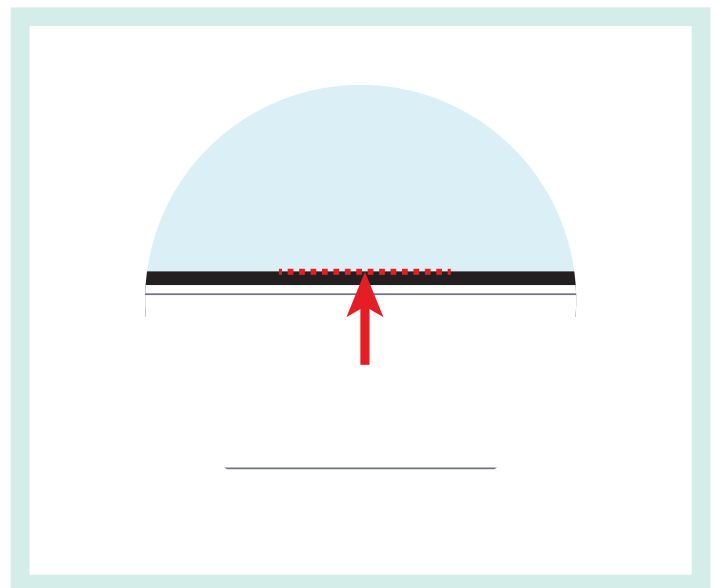
#### Step 1

Measure the distance between the edge of the beading and any obstacles such as handles. This needs to be more than 25mm.



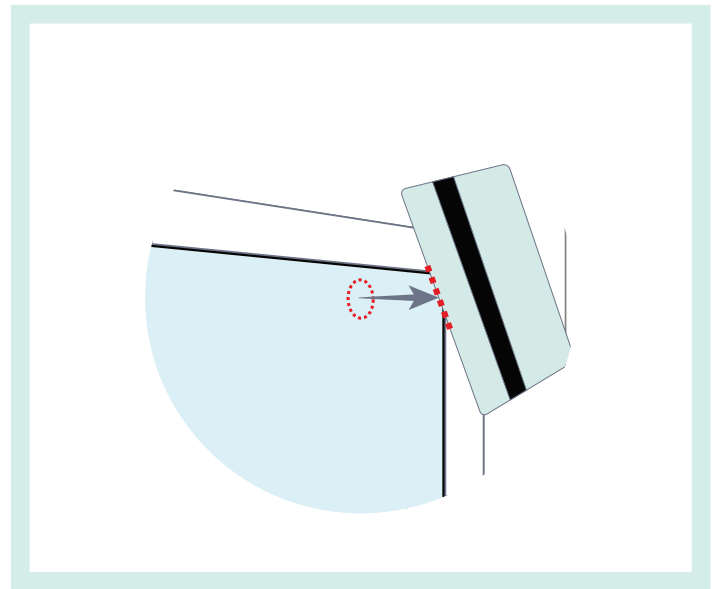
#### Step 2

Measure the rubber beading length it extends into the glass area – this needs to be less than 6mm.



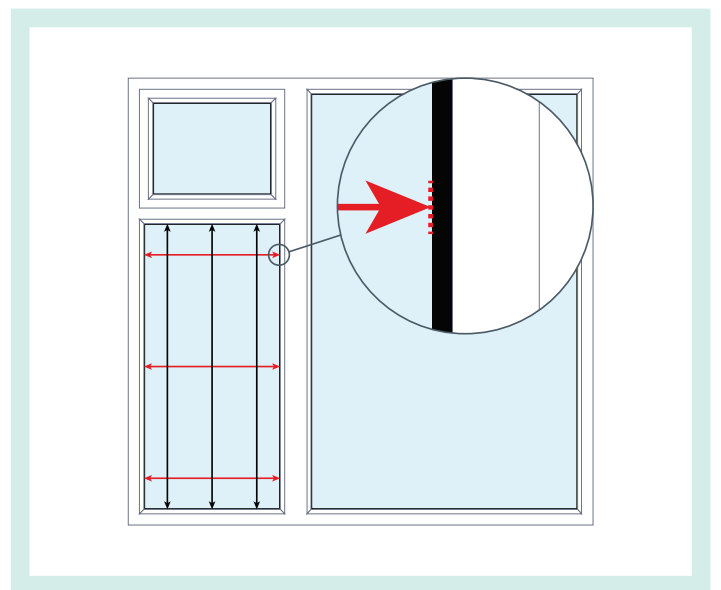
### Step 3

To measure the depth of the window from glass to beading, place your bank card over the corner of the window/door frame. Measure the distance from glass to card. Typically the bead depth is between 18-24mm.



### Step 4

Measure the width and drop of the visible glass area – that is from where the glass meets the rubber beading to the other side. Do this in three points (top, middle, bottom for Width; Left, Right, Centre for Drop) and take the shortest distance for each.



Once you have noted your measurements, enter the sizes into [www.blinds4you.co.uk/collections/perfectfit-blinds](http://www.blinds4you.co.uk/collections/perfectfit-blinds) and choose the Exact fitting option. We will make your new blind to your sizes without deductions and send them out to you ready to fit.