

Blinds4You

Fitting Guide for Vertical Blinds

Now you have received your new Vertical Blind from us, fitting for your new blind is easier than you might think! All you have to do is follow our simple tips, double-check everything you do and set aside some time to do it.

This guide works for:

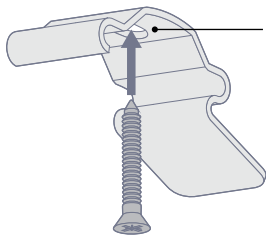
- Vertical blinds

Fitting into standard window

Fitting the brackets

The brackets offer two methods of installation:

Top fixing



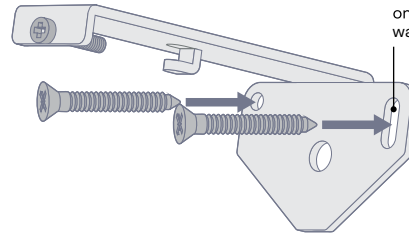
Use the single hole in the top of the bracket to fix to the lintel (the 'ceiling' of the recess).

Fix the bracket to the ceiling of the recess or lintel using one screw through the single hole. The protruding tab on the bracket should be closest to the window.



We recommend that you position the end brackets at least 50mm in from the ends of the blind. For larger blinds, distribute the additional brackets evenly across the width.

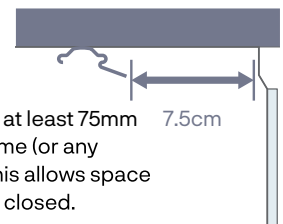
Face fixing



Use two screws through the back plate to mount onto a facing surface (a wall or window frame)

The bracket for face fixing should be attached using two screws through the back plate (side without the attaching bracket) onto facing surface such as wall or window frame.

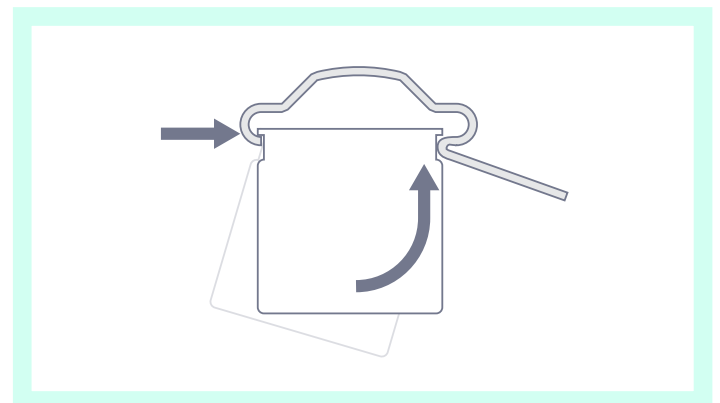
If you're using top-fix brackets, make sure that you mount them at least 75mm in front of either the window frame (or any protruding vents or handles). This allows space for the louvres to turn open and closed.



Fitting the blind

Top fixing

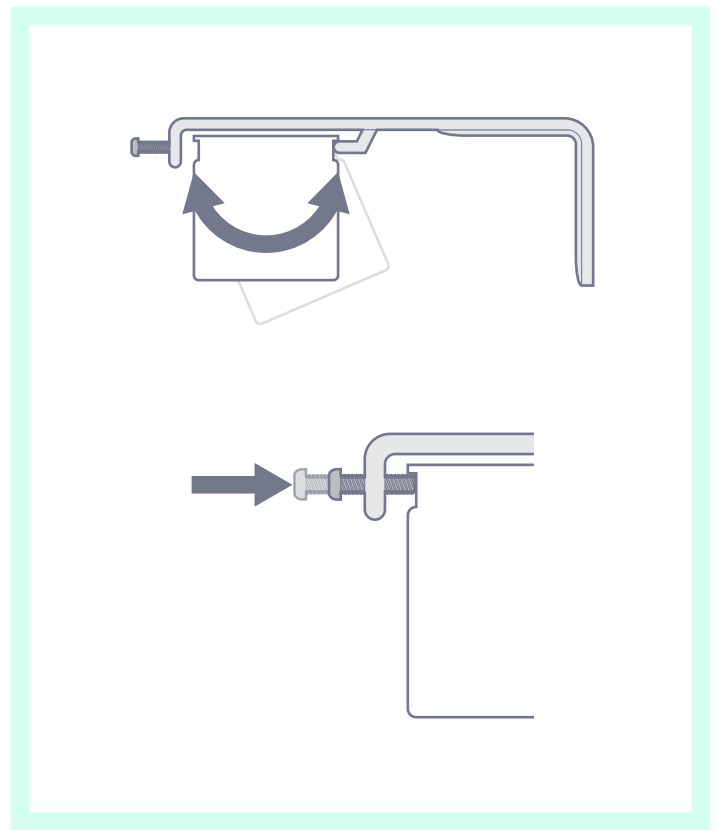
Once all the brackets are in place offer the blind to the brackets. With the head rail tilted away from you locate the front lip into the bracket and push upwards to click the head rail into the back lip of the bracket.



Fitting the blind (continued)

Face fixing

Once all the brackets are in place offer the blind to the brackets. With the head rail tilted towards you locate the back lip of the head rail into the bracket. Tilt the head rail into the front lip of the bracket and tighten the screw at the front to secure the rail in place.

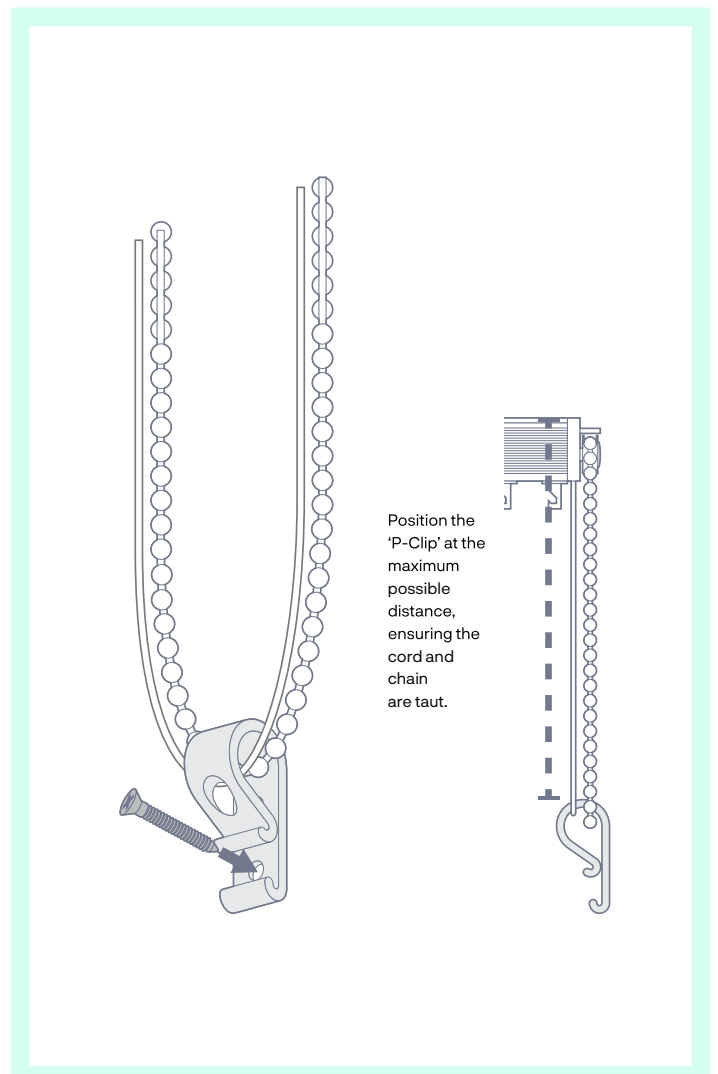


Child safety

Cord Tensioner

Your vertical blind is fully compliant with the latest safety standards. It has been supplied with a 'P-Clip' tensioning device to keep the cords and the chain child safe. Slot both the cord and the beaded chain into the 'P-Clip' and secure it to the wall or window frame (if you are fixing to the facing surface then the cord and chain will form a figure of eight, this is fine and will not affect the operation of your blind).

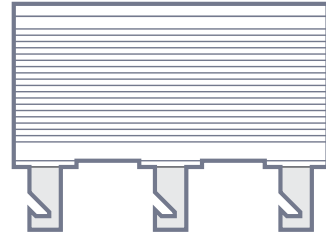
Handy Tip: Please note that the P-clip must be installed. The cord must be kept under tension to prevent it from sagging down from the head rail when the blind is drawn open.



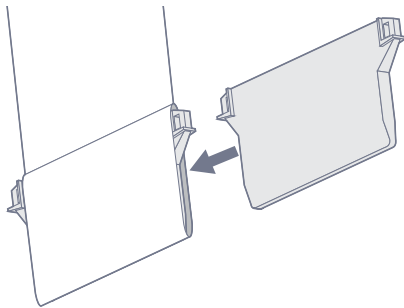
Hanging the louvres

Check that none of the hooks are facing a different direction to the rest. Top Tip If you find that this is the case, then this is easy to rectify. Simply pull on the beaded chain and keep pulling - don't worry about the resistance and the grinding sound, they're normal when doing this. Eventually the hooks should all turn back into alignment and the chain will run smoothly.

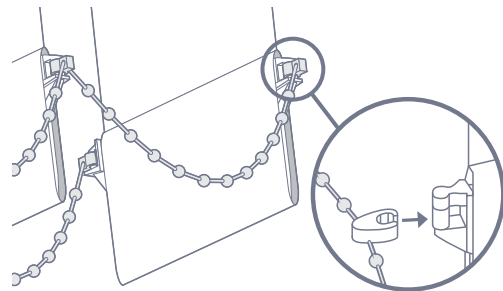
Handy Tip: Before hooking the louvres on the rail, use the beaded chain to turn the hooks so that they all face side on. This makes it far quicker to hook the louvres on and also ensures that the louvres will not clash when you first use the blind.



Weights and Chain

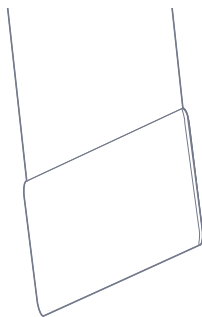


Slide the weight into the pocket at the bottom of the louvre.

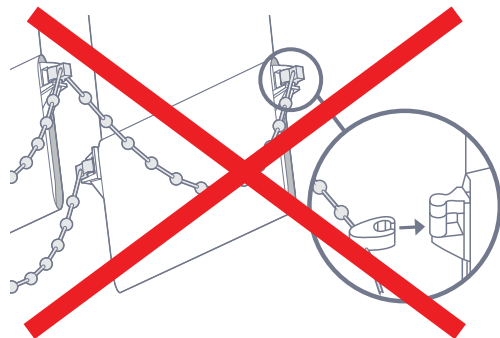


Clip the stabilising chain onto the weights, one chain will run along the back and the second will run along the front. Any excess clips can be cut away, just snip the cord flush to the last clip attached to a weight.

Welded In Weights



For a sleek and modern design, our vertical blinds feature integrated weights within the slats, eliminating the need for cumbersome chains and weights at the bottom.



Enjoy your newly installed blind from Blinds 4 You

We are here to help you enjoy your new blinds and you will find lots of other useful information on our website. If you need to contact us, please visit www.blinds4you.co.uk/contactus for more details.