

Blinds4You

Fitting Guide for Aluminium Venetian blinds

Now you have received your new Aluminium Venetian blind from us, fitting for your new blind is easier than you might think! All you have to do is follow our simple tips, double-check everything you do and set aside some time to do it.

This guide works for:

- Aluminium Venetian blinds

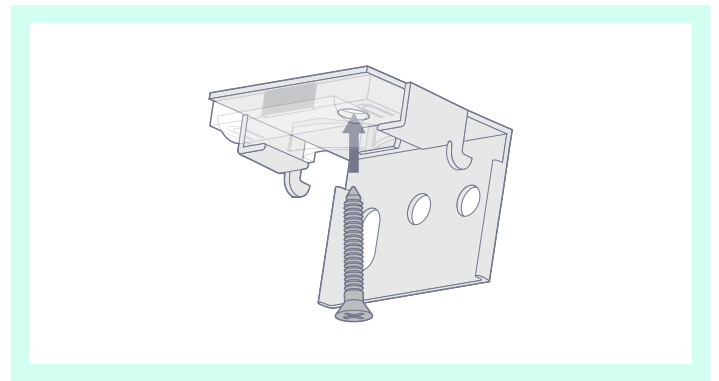
Fitting into standard window

Fitting the brackets

The brackets offer two methods of installation.

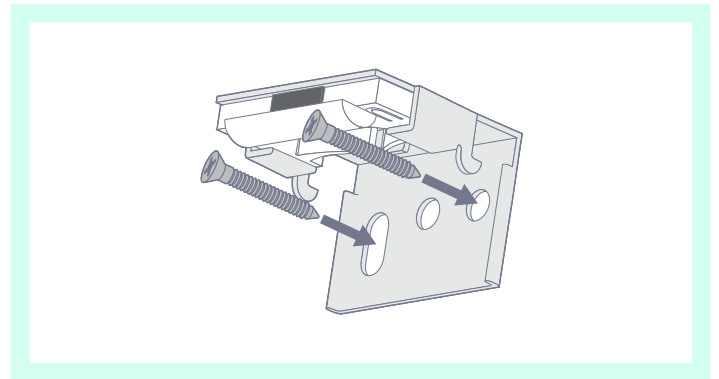
Top fixing

Use the single hole in the top of the bracket to fix to the lintel (the 'ceiling' of the recess).

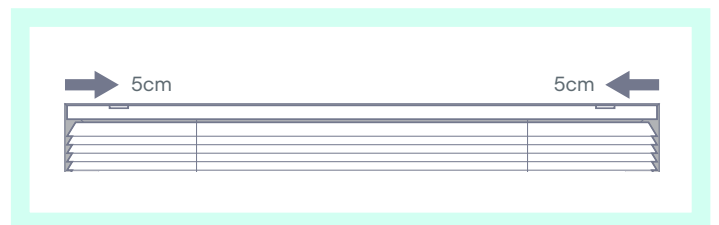


Face fixing

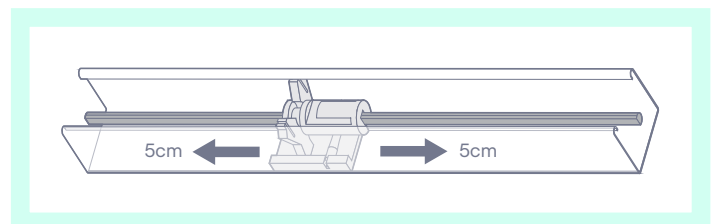
Use two screws through the back plate to mount onto a facing surface (a wall or window frame).



The outermost brackets should be mounted in line with the Venetian Blind's ladder webbing. These should be at least 5cm in from the ends of the blind.



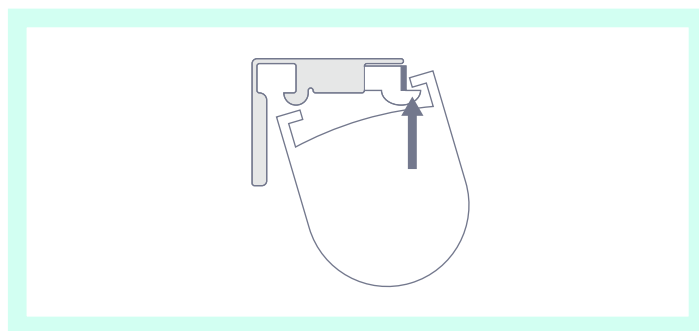
The remainder of the brackets should be spaced evenly along the width of the blind, ensuring that they do not interfere with any of the moving components in the head rail.



Fitting the blind

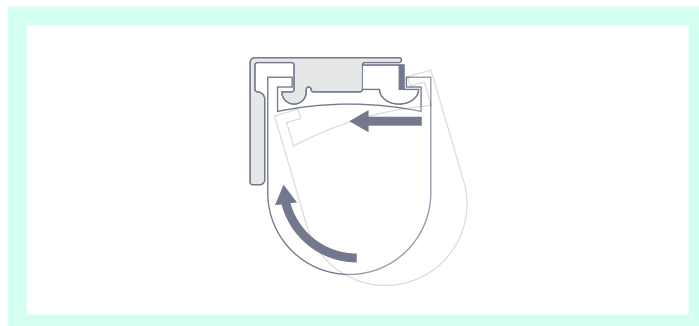
Step 1

Situate the front lip of the head rail into the front of the bracket.



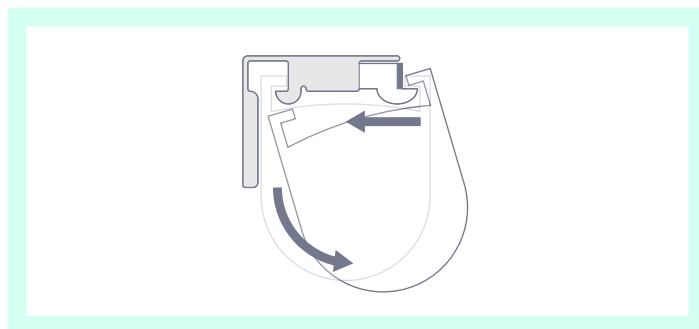
Step 2

Push the back of the head rail upwards to lock it into the back of the bracket.



Step 3

To release the blind from the brackets at any point after installing, push firmly against the blind's head rail to disengage it from the front of the bracket. At the same time, twist the back of the head rail downwards to release it from the back.



Breakaway safety tassel

A breakaway safety tassel is pre-fitted to the lift cords so that when a horizontal force is applied to the cords entering the condenser it safely breaks away eliminating any hazardous loops.

The diagram shows a blind with a breakaway safety tassel installed on the lift cords. A circular inset provides a magnified view of the tassel's connection to the cord. To the right, a separate diagram shows the tassel being pulled apart, with arrows indicating the direction of force. Below that, a diagram shows the tassel being pressed together, with arrows indicating the direction of force. The text on the right provides instructions for installation and testing.

If the breakaway safety tassel is pulled apart: untangle and untwist cords.

For 2 cords: Press the breakaway safety tassel together until it is fully closed.

For 3 cords: Place the loose cord in the opening in one half of the breakaway safety tassel and press the breakaway safety tassel together until it is fully closed.

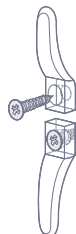
If there are any doubts that the breakaway safety tassel has not been re-attached correctly it can be tested by placing your arm between the cords and pressing downwards. The breakaway safety tassel should break apart with minimal force, if it does not breakaway tie cords out of reach of children and contact a reputable blind company to repair the blind.

Cord Safety Cleat

The safety cleat shall be installed as close to the head rail as possible and in all cases not less than 1500mm from the floor. The cord must be fully accumulated around the safety cleat(s) when the blind is not in use. Use the table below to determine the distance required between the cleats to fully accumulate the cords when the blind is fully raised.

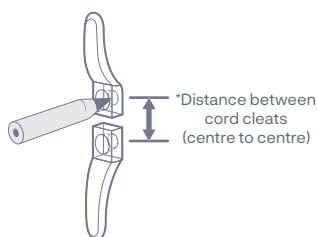
Drop of blind	*Distance between cord cleats (centre to centre)
1-1000mm	100mm
1001-2000mm	150mm
2001-3000mm	300mm

Step 2



Place the safety cleat in the desired position on the wall and mark the positions of the holes with a pencil.

Step 1



Place the safety cleat in the desired position on the wall and mark the positions of the holes with a pencil.

Step 3



Wrap the cords around the cord cleats in a figure of 8. When the cords are fully accumulated, ensure they are secure so that when any cord is pulled, no excess cord is released.

Enjoy your newly installed blind from Blinds 4 You

We are here to help you enjoy your new blinds and you will find lots of other useful information on our website. If you need to contact us, please visit www.Blinds4You.co.uk/contactus for more details.