

Blinds4You

Fitting Guide for Roof Blinds

Now you have received your new roof blinds from us, fitting for your new roof blinds is easier than you might think! All you have to do is follow our simple tips, double-check everything you do and set aside some time to do it.

This guide works for:

- Velux window blinds
- Fakro windows blinds
- Keylite windows blinds
- Rooflite and Dakstra window blinds

Your fixing kit

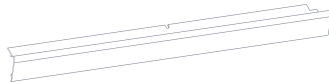
Contents



Headbox



Left Side Channel



Right Side Channel



4 x Countersunk Screws

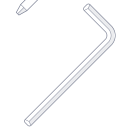


2 x Pan Head Screws
(optional)

Tools required



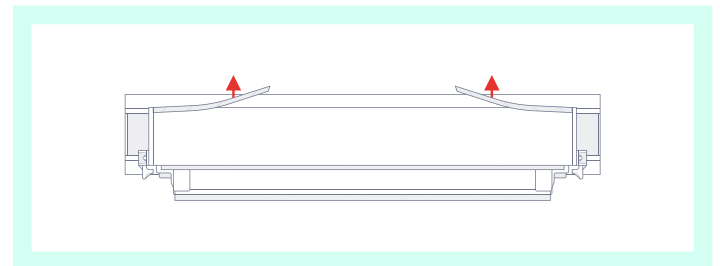
Screwdriver



2mm Allen Key
(included)

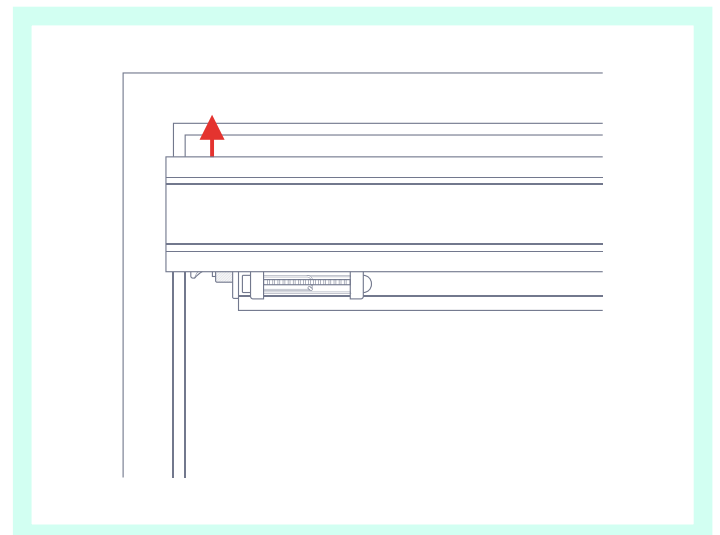
Step 1

Peel the backing from the red double sided tape on the headbox.



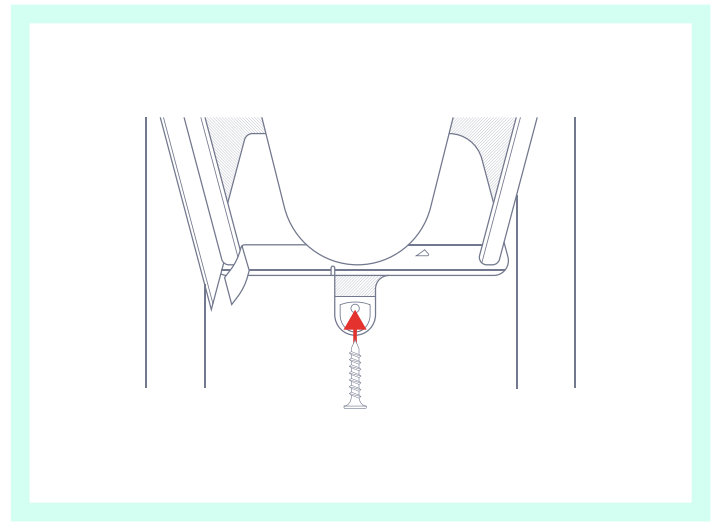
Step 2

Secure headbox to top of window using double sided tape.



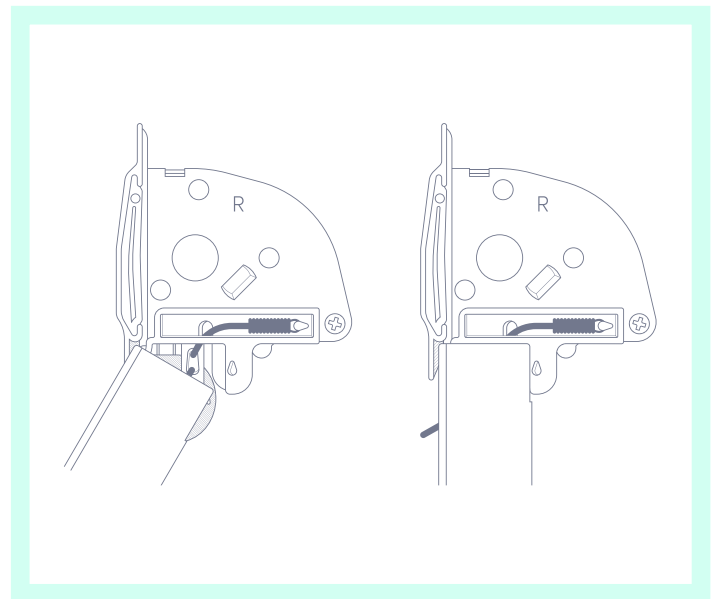
Step 3

Secure headbox to window frame at each side using countersunk screws.



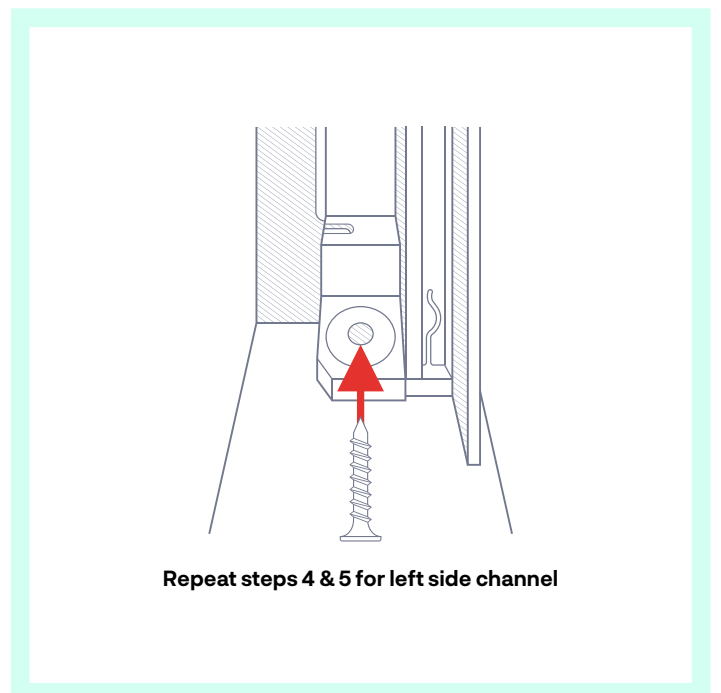
Step 4

Slide the right side channel at a 30° angle onto the bottom bar end cap to ensure position under the headbox lip. Push the lower end of the side channel into position against the edge of the window.



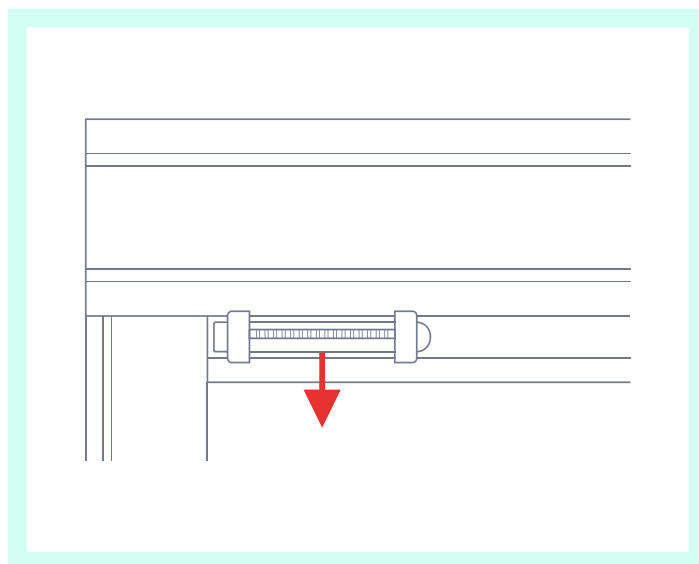
Step 5

Secure the side channel into position using the countersunk screws provided.



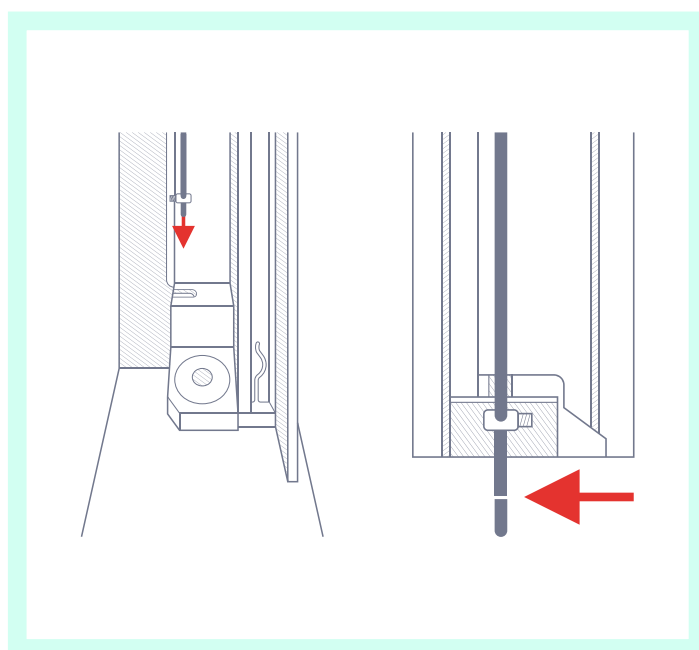
Step 6

Remove the red cord containers, unwind the cord and dispose of the cord retainers.



Step 7

Pull cord to bottom of side channel and secure cord stop in the locking mechanism and trim excess cord to 1.5cm – once it is confirmed the blind is working correctly.



Additional information

The blind is supplied pre-tensioned, however, should this need adjusting please change as follows:

1. Use the 2mm Allen Key supplied to adjust the cord stops. See **page 1** 'Your fixing kit'.
2. If the blind does not stay in position or raises of its own accord, add tension to the cords by adjusting the cord stop.
3. If the blind is difficult to open or close, adjust the position of the cord stop by reducing the tension ensuring the bottom bar is level.
4. If the bottom bar is not level adjust the cord stop tension. To do this, remove it from locking mechanism and adjust accordingly.

Enjoy your newly installed roof blinds from Blinds4You

We are here to help you enjoy your new roof blinds and you will find lots of other useful information on our website. If you need to contact us, please visit www.blinds4you.co.uk/contactus for more details.