

Blinds4You

Fitting Guide for Roman blinds

Now you have received your new Roman blind from us, fitting for your new blind is easier than you might think! All you have to do is follow our simple tips, double-check everything you do and set aside some time to do it.

This guide works for:

- Roman blinds

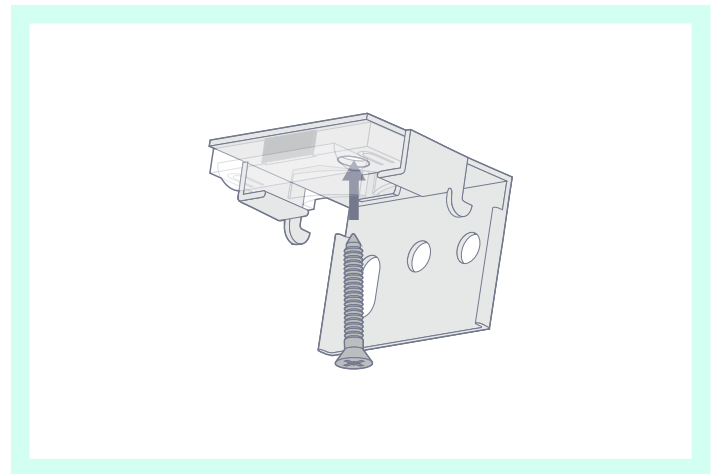
Fitting into standard window

Fitting the brackets

The brackets offer two methods of installation.

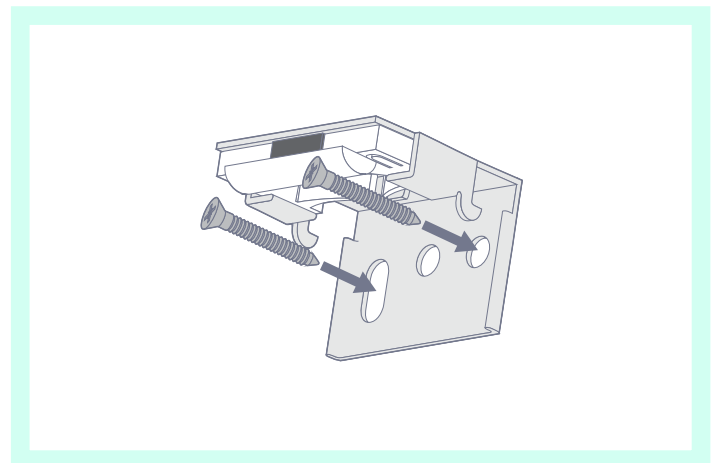
Top fixing

Use the single hole in the top of the bracket to fix to the lintel (the 'ceiling' of the recess).

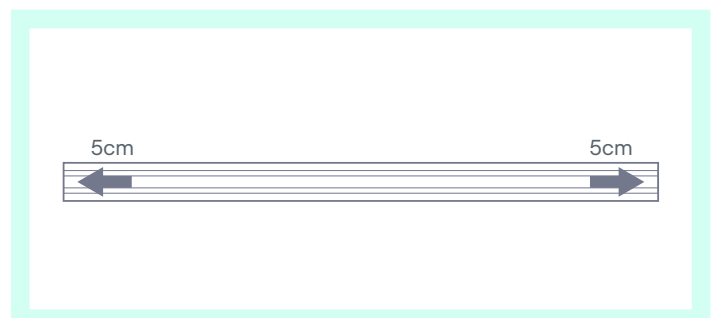


Face fixing

Use two screws through the back plate to mount onto a facing surface (a wall or window frame).



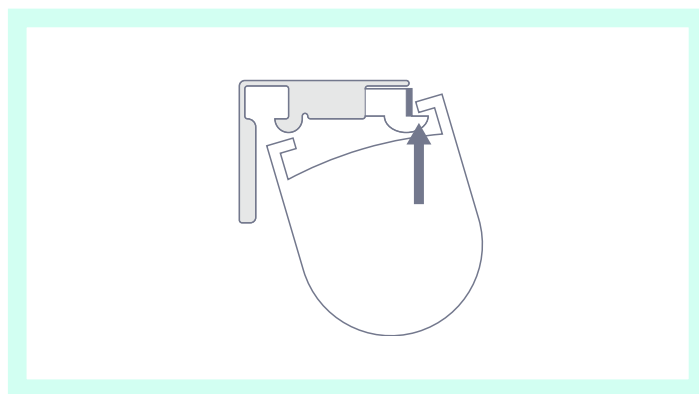
The outermost brackets should be mounted at least 5cm in from the ends of the blind.



Fitting the blind

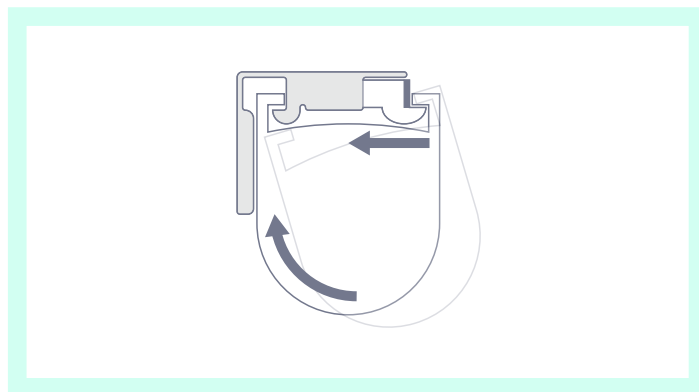
Step 1

Situate the front lip of the head rail into the front of the bracket.



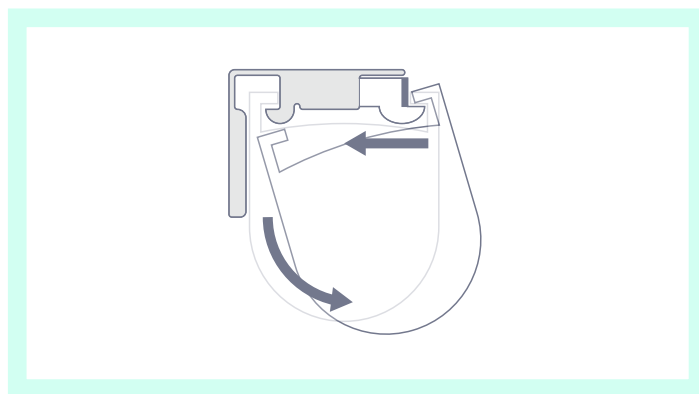
Step 2

Push the back of the head rail upwards to lock it into the back of the bracket.



Step 3

To release the blind from the brackets at any point after installing, push firmly against the blind's head rail to disengage it from the front of the bracket. At the same time, twist the back of the head rail downwards to release it from the back.



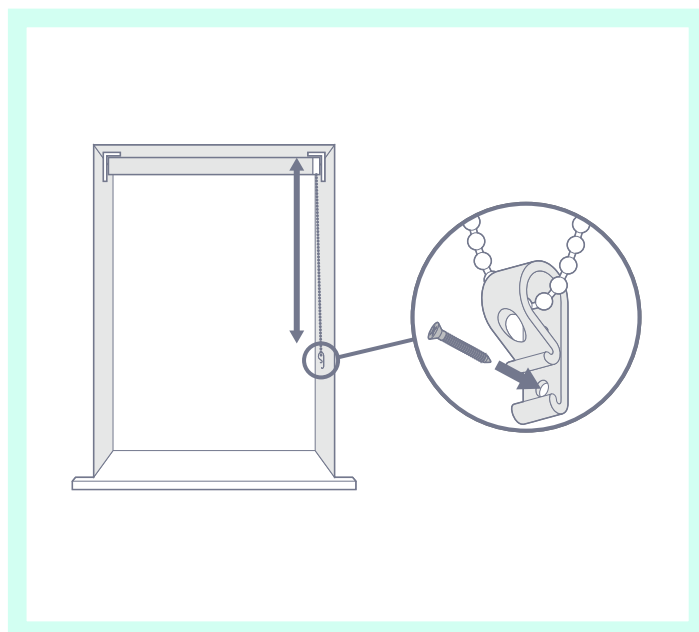
Child Safety

Cord Tensioner

The cord retaining device must be installed at the maximum distance possible from the control mechanism to prevent looped cords from becoming slack.

Place the retaining device on the wall and mark the position of the screw hole(s) with a pencil.

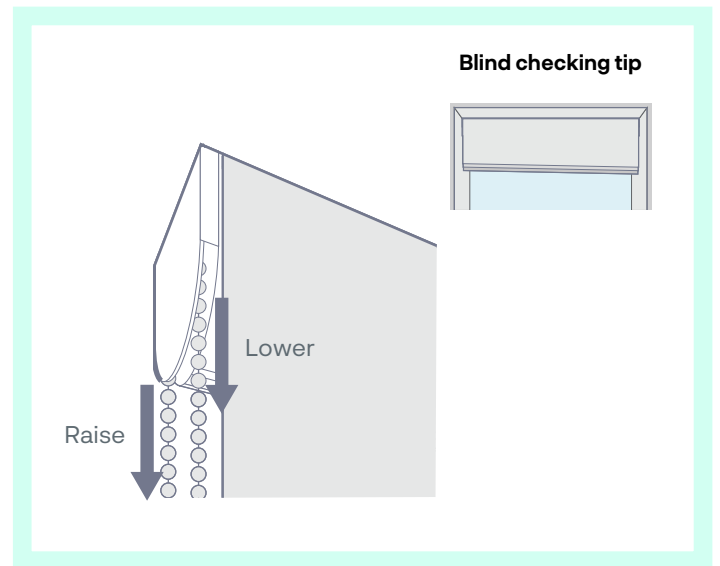
Attach the retaining device to the wall using the fixings provided.



Operating the blind

Pull down on the front part of the chain to lower the blind and pull down on the rear part of the chain to raise the blind.

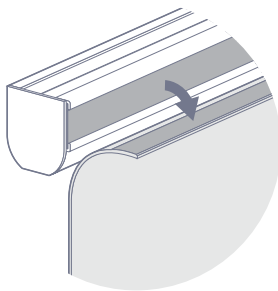
Handy Tip: If you find at any point that the blind has fallen to one side (see blind checking tip opposite), the likelihood is that this has been caused by a simple mix-up with the controls, in that they may have been pulled the wrong way to either raise or lower, which can cause the cords to roll up unevenly. To fix this, simply use the front of the chain to fully lower the blind, then continue pulling the chain until it raises to the top. The blind should even itself out as you do, and you can prevent the same issue occurring again by making sure the chain is always pulled in the correct direction from that point forward.



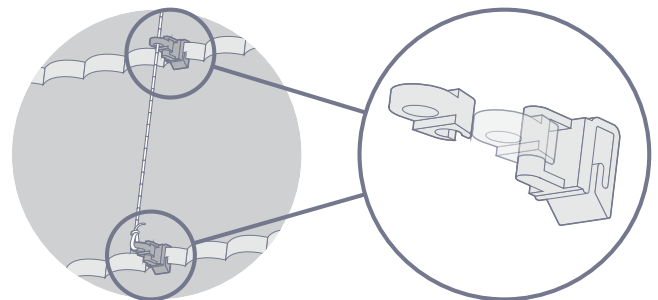
Additional items

Removing the fabric for cleaning

If you need to remove the fabric, to take it to a dry-cleaner for example, then that's easy.



The fabric attaches at the front with Velcro, simply peel the fabric away from the head rail.



At the back, the cords attach to the fabric using clips, which double as a child-safety feature. These clips are in two parts, and can be easily unclipped to separate the cords from the fabric.

Enjoy your newly installed blind from Blinds 4 You

We are here to help you enjoy your new blinds and you will find lots of other useful information on our website. If you need to contact us, please visit www.Blinds4You.co.uk/contactus for more details.