

Blinds4You

Fitting Guide for Roller blinds

With Blinds4You, fitting for your beautiful new blind is easy. Just follow this step-by-step guide, taking care to double check as you go and look out for some handy tips to help you save time too. Below is a handy guide for fitting for Roller blinds.

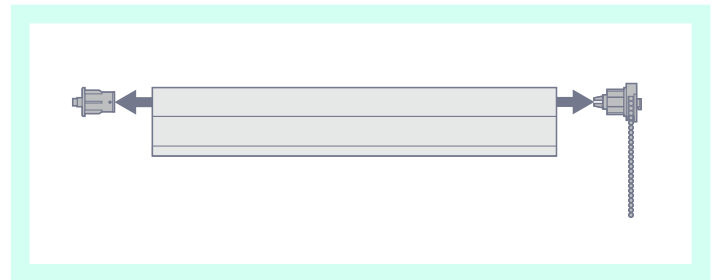
This guide works for:

- Roller blinds
- Electric Roller blinds (note has its own special guide for setting up remote control)

Fitting into standard window

Before you begin

We will have positioned the controls where you requested during the ordering process. However if you decide to swap the side that they are on, direction of the roll or need to trim the blind further, the controls can be removed by simply unplugging them from the tube. This should be done prior to fixing the brackets.

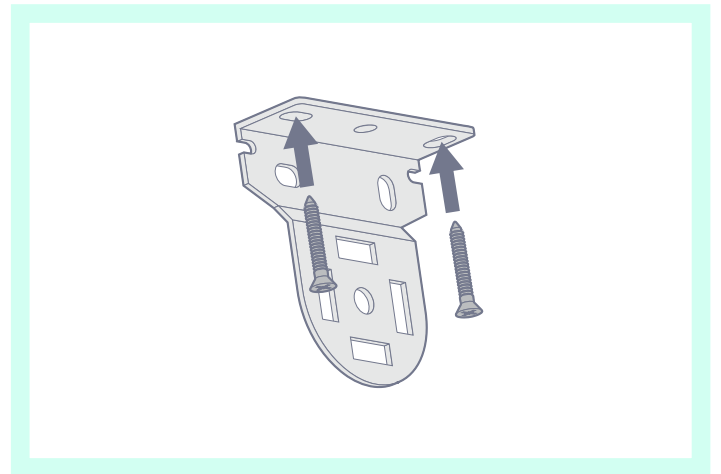


Fitting the brackets

The brackets offer three methods of installation.

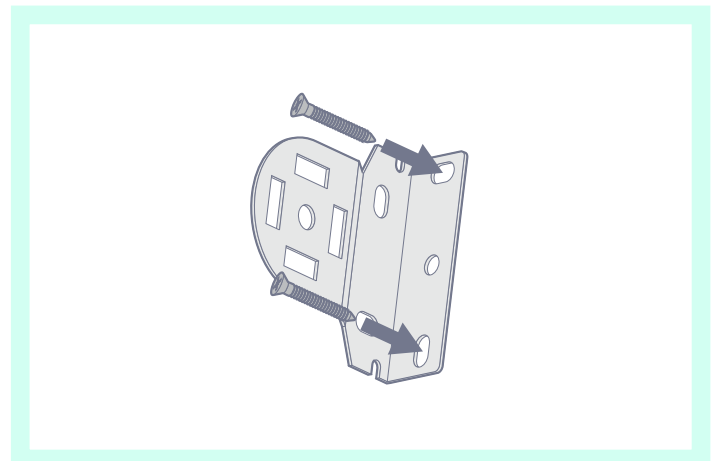
Top fixing

Where the brackets are screwed into the lintel (or 'ceiling' of the recess).



Face fixing

Where the brackets are screwed onto a facing surface (a wall or window frame).

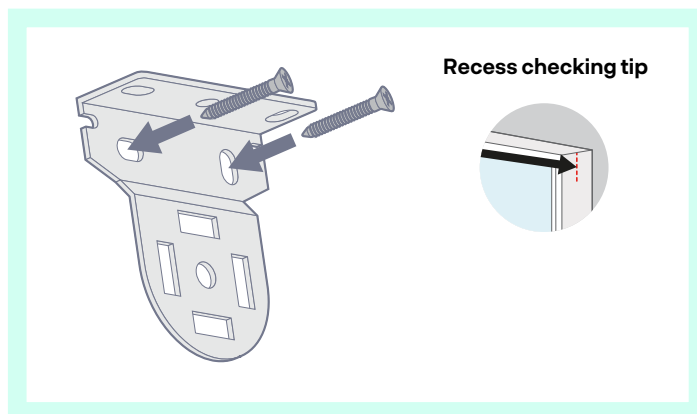


Fitting the brackets (continued)

Side fixing

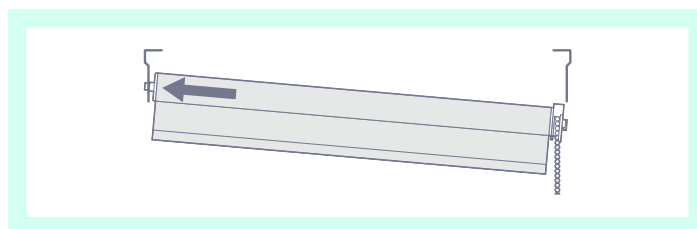
Where the brackets are screwed into the side walls of the recess.

Handy Tip: Top-fixing or face-fixing are recommended for most installations, whereas side-fixing is only recommended if the width you gave us was taken right at the top of the recess (see recess checking tip opposite).

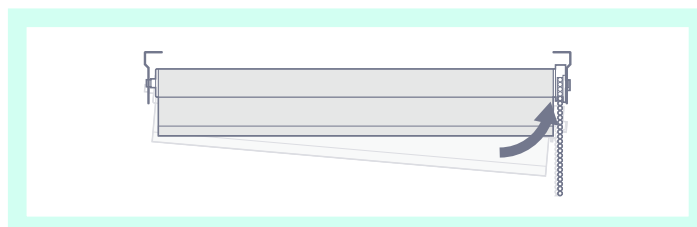


Fitting the blind

Locate the pin-end (the opposite end to the controls) of the blind into the central hole in the corresponding bracket.



Lift the control end of the blind and slot the rectangular 'lugs' into the corresponding slots on the bracket.



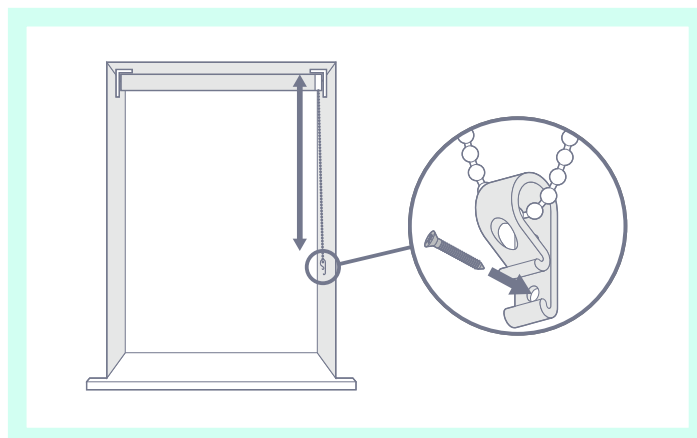
Child Safety

Cord Tensioner

The cord retaining device must be installed at the maximum distance possible from the control mechanism to prevent looped cords from becoming slack.

Place the retaining device on the wall and mark the position of the screw hole(s) with a pencil.

Attach the retaining device to the wall using the fixings provided.

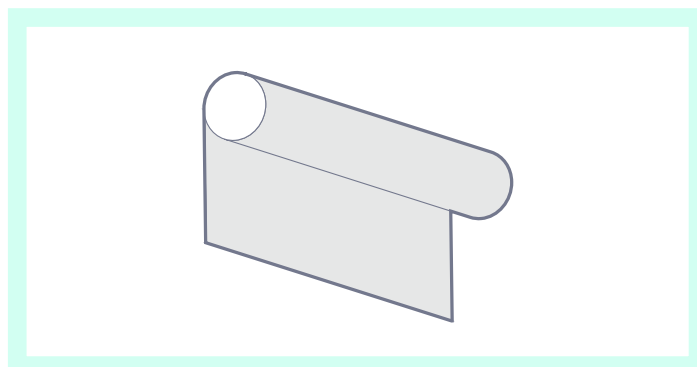


Additional information

Reverse rolling the fabric

Standard roll

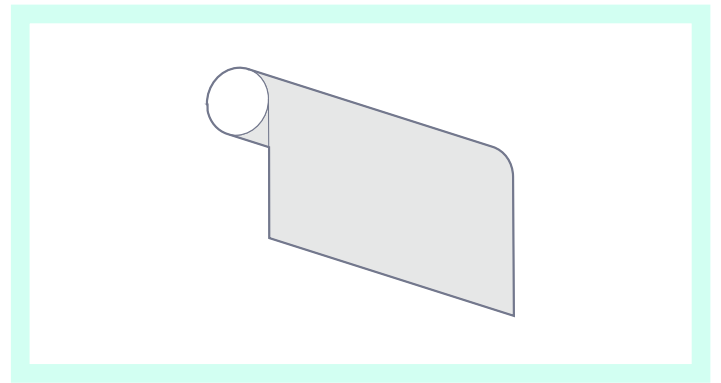
Roller blinds can have the fabric rolled onto the tube in two directions. The first is referred to as 'standard' roll. This will place the fabric closest to the window or wall so that it comes down at the back of the tube. This is typically used with blackout blinds when they are mounted outside of a recess, the standard roll meaning that there is less light leakage.



Additional information (continued)

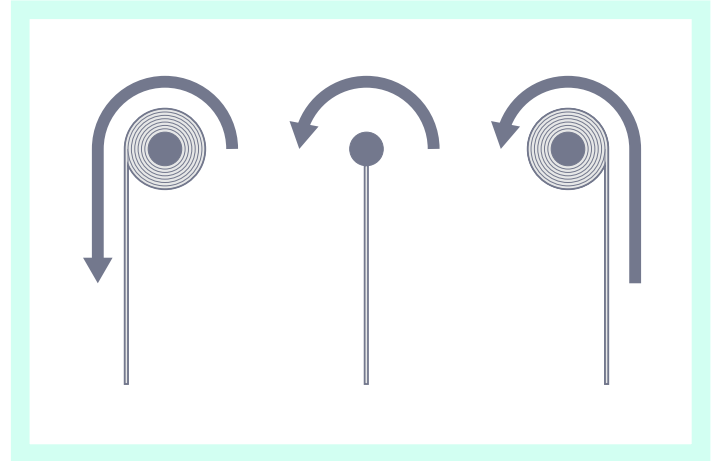
Reverse roll

The second method is referred to as a 'reverse' roll, which places the fabric so that it comes down at the front of the tube, effectively hiding the roll. This method will allow clearance behind the fabric, for window handles and other obstructions, if you're mounting the blind inside a recess.



Changing the roll method

If you wish to change the roll method then it's easy; simply pull the back of the chain to lower the blind, and continue pulling until the metal tube is exposed. Keep going and the blind will begin to raise, with the fabric now rolling up over the front of the roller tube. Note that **this will reverse the direction you must pull the chain for raising and lowering the blind** (you'll now use the front of the chain to lower and the back of the chain to raise).



Enjoy your newly installed blind from Blinds 4 You

We are here to help you enjoy your new blinds and you will find lots of other useful information on our website. If you need to contact us, please visit www.Blinds4You.co.uk/contactus for more details.