

Blinds4You

Fitting Guide for Pleated blinds

With Blinds4You, fitting for your beautiful new blind is easy. Just follow this step-by-step guide, taking care to double check as you go and look out for some handy tips to help you save time too. Below is a handy guide for fitting for Pleated blinds.

This guide works for:

- Pleated blinds

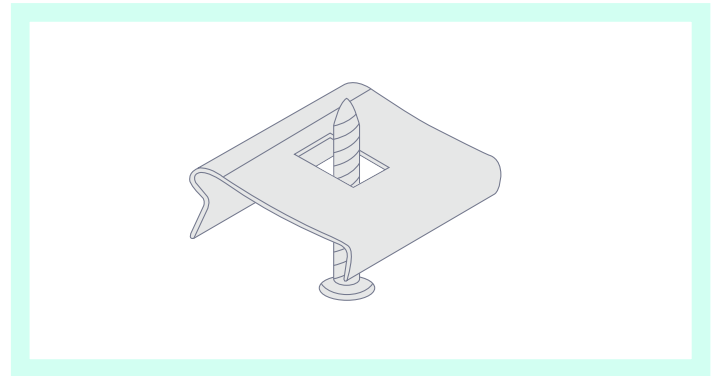
Fitting into standard window

Fitting the brackets

The brackets offer two methods of installation:

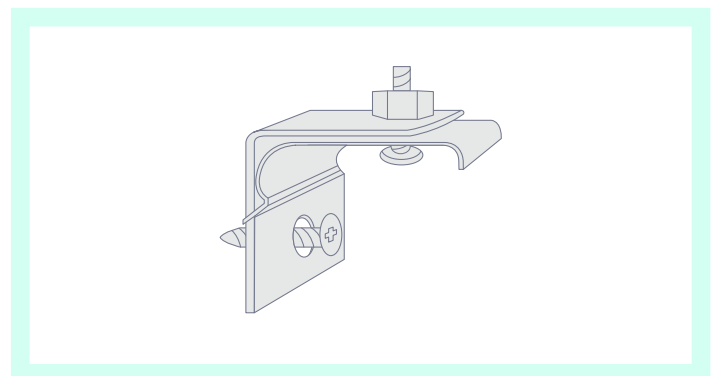
Top fixing

Attach the bracket using a single screw up through the slot into the lintel or other surface. Position so the longer tab is at the back, closest to the window.

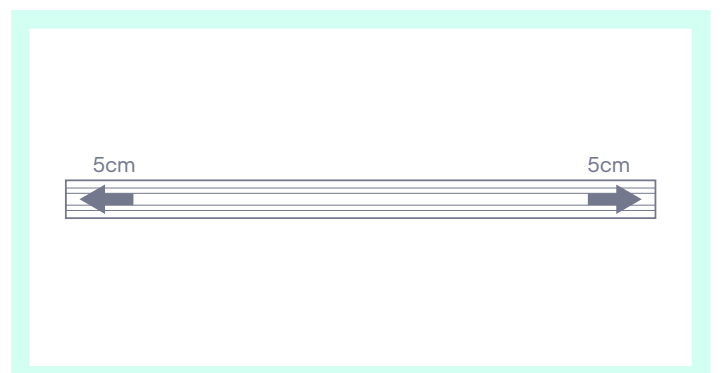


Face fixing

Face fixing bracket should be attached with a single screw through the back plate of the "L" shape.

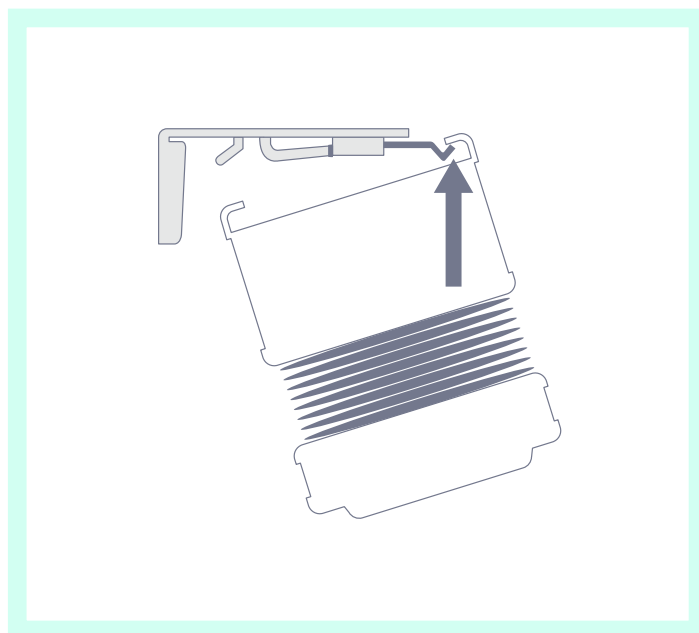


We recommend that you position the end brackets at least 50mm in from the ends of the blind. For larger blinds, distribute the additional brackets evenly across the width.



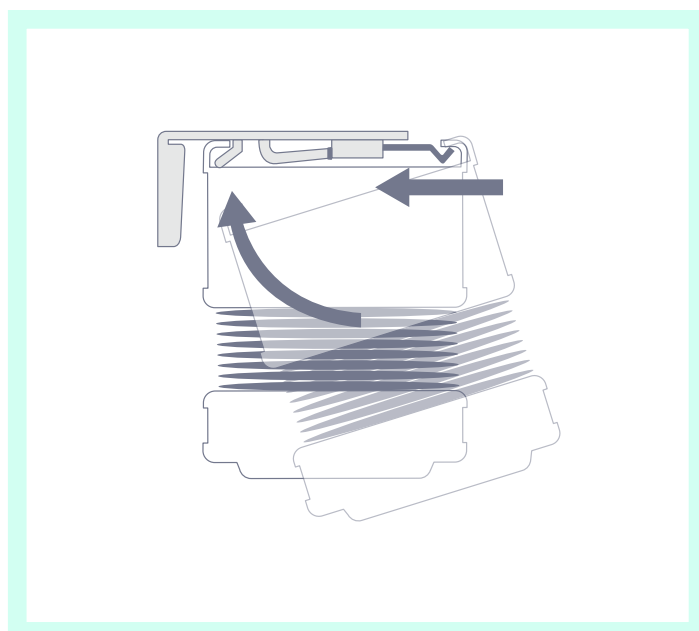
Fitting the blind

Situate the front lip of the head rail into the front of the bracket.



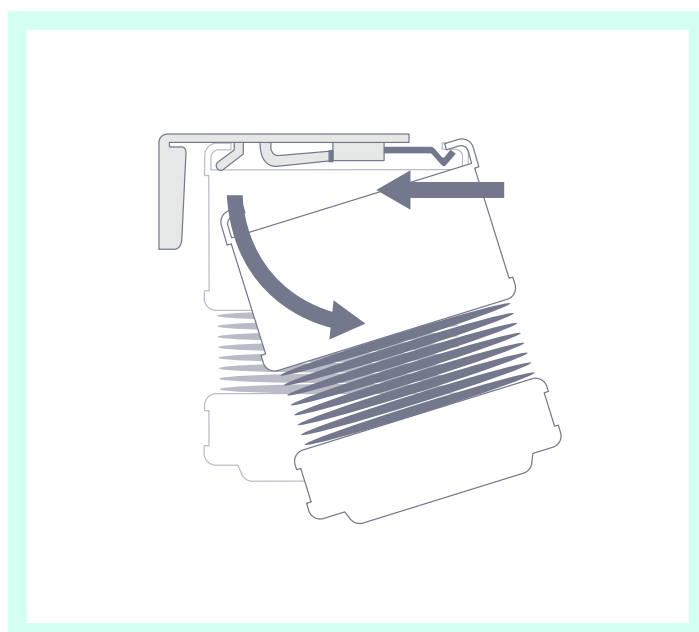
Push the back of the head rail upwards to lock into the back of the bracket.

Once all the brackets are in place offer the blind to the brackets. With the blind head rail tilted away from you locate the front lip into the bracket and then push upwards to click the head rail into the back lip of the bracket.



To release the blind from the brackets at any point after installing, push firmly against the blind's head rail to disengage it from the front of the bracket. At the same time, twist the back of the head rail downwards to release it from the back

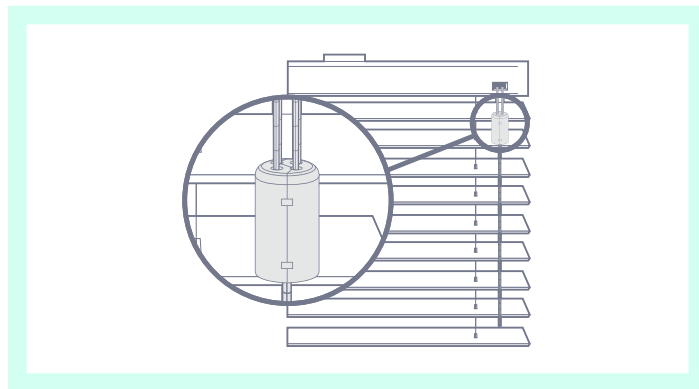
Should you need to release the blind, push the head rail back firmly to disengage from the bracket's front lip whilst twisting the blind down from the back.



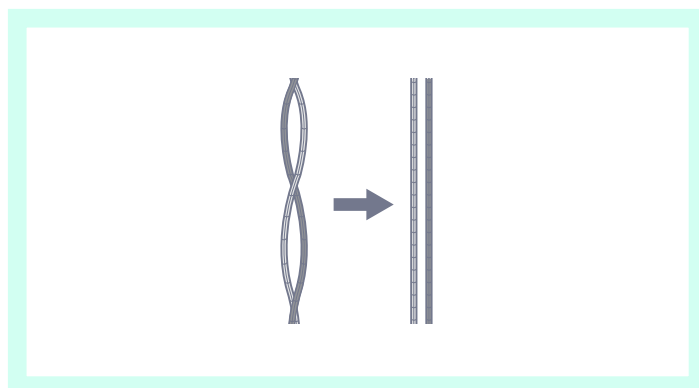
Child Safety

Cord Condenser

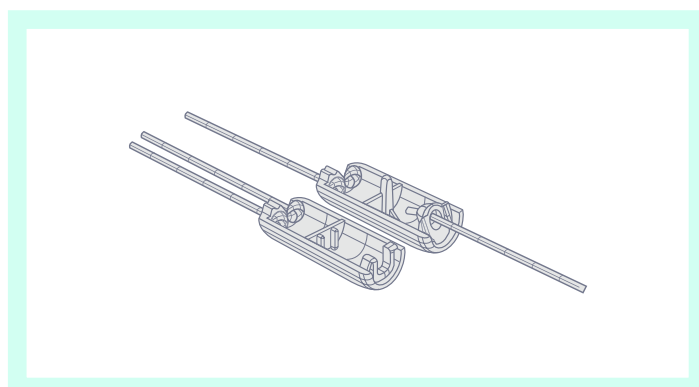
A breakaway cord condenser is pre-fitted to the lift cords so that when a horizontal force is applied to the cords entering the condenser, it safely releases the cords to eliminate any hazardous loops.



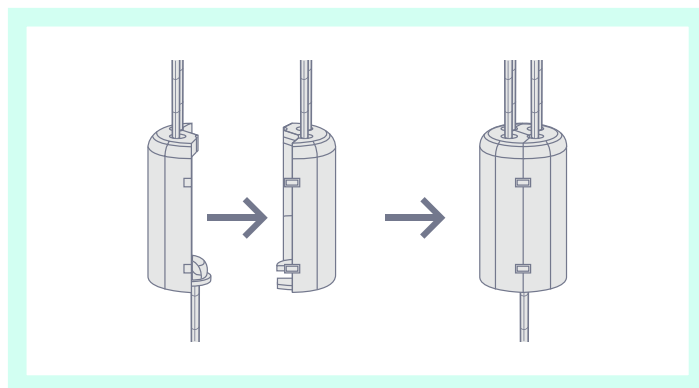
If the cord condenser is pulled apart: Untwist the cords so that they're nice and straight.



Slot the cords into the channel in the centre of one half of the condenser. If your condenser differs slightly from the diagram, don't worry, just slot any cords that aren't already tied into place inside in the same way.



Click the two halves back together, ensuring there is no loose thread trapped at the edges of the condenser.



Handy Tip: The design of the condenser can vary, so don't worry if yours doesn't look exactly like the illustration above. Both designs do the same job and clip back together in the same way.



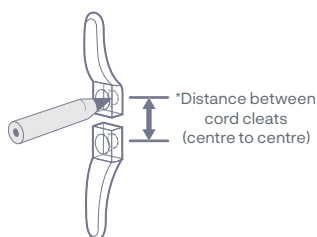
Cord Safety Cleat

The safety cleat shall be installed as close to the head rail as possible and in all cases not less than 1500mm from the floor. The cord must be fully accumulated around the safety cleat(s) when the blind is not in use. Use the table below to determine the distance required between the cleats to fully accumulate the cords when the blind is fully raised.

Drop of blind	*Distance between cord cleats (centre to centre)
1-1000mm	100mm
1001-2000mm	150mm
2001-3000mm	300mm

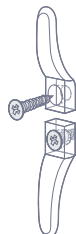
Width	No. of cords
200-700mm	2
701-1000mm	3
1001-2200mm (fabric dependent)	4

Step 1



Place the safety cleat in the desired position on the wall and mark the positions of the holes with a pencil.

Step 2



Place the safety cleat in the desired position on the wall and mark the positions of the holes with a pencil.

Step 3



Wrap the cords around the cord cleats in a figure of 8. When the cords are fully accumulated, ensure they are secure so that when any cord is pulled, no excess cord is released.

Enjoy your newly installed blind from Blinds 4 You

We are here to help you enjoy your new blinds and you will find lots of other useful information on our website. If you need to contact us, please visit www.Blinds4You.co.uk/contactus for more details.