

Blinds4You

Fitting Guide for Perfect Fit Venetian blinds

With Blinds4You, fitting for your beautiful new blind is easy. Just follow this step-by-step guide, taking care to double check as you go and look out for some handy tips to help you save time too. Below is a handy guide for fitting for Perfect Fit Venetian blinds.

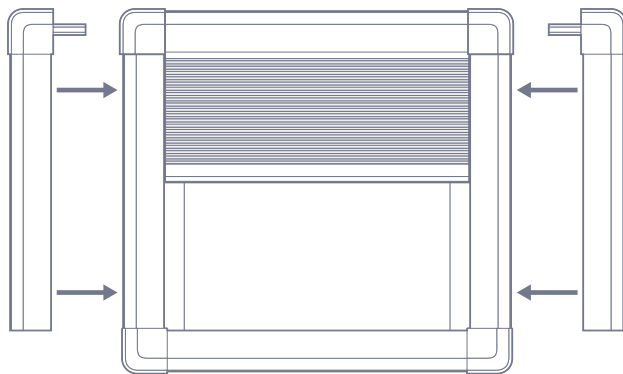
This guide works for:

- Perfect Fit Venetian blinds

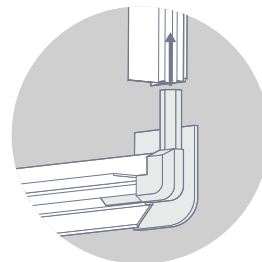
Fitting into standard window

Building the frame

Your Perfect Fit blind will arrive with the frame ready to assemble. Open the box and layout the parts – check no cords have become tangled.



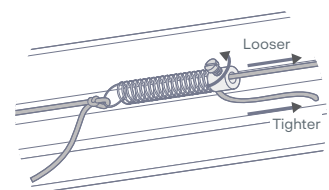
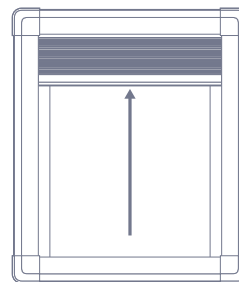
Attach the frame sides to the top and bottom sections in turn by inserting the corner pegs into the side frame channels. You will see the tension of the blind cords will keep the frame in shape.



Testing the tension

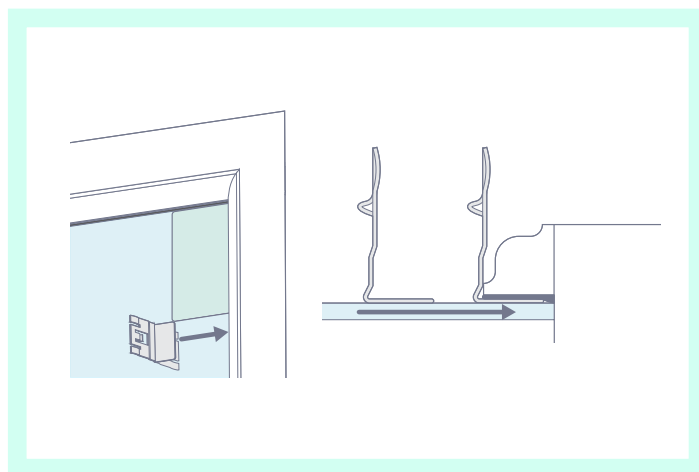
Hold the frame upright and raise the blind fully to the top (see left image opposite). If your blind starts to lower by itself, you will need to adjust the cord tension.

Lay the blind face down and find the small spring at the bottom of the frame, at the back. The two ends of the cords are secured to this spring. On one side, the cord is secured through a small eyelet with a screw. Loosen the screw, then pull through the cord to adjust the tension. Pull the excess cord through by 5-10mm further to increase the tension.



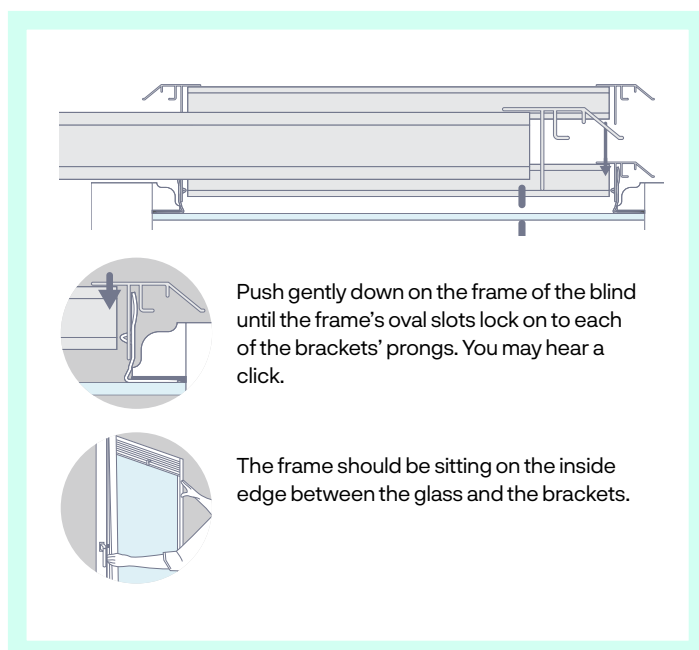
Installing the brackets

Use your bank card and place it on its side in the corner of the window frame flat against the glass. The bracket should sit just under the card. Carefully push the bracket under the rubber beading. Repeat for 4 corners.



Installing the blind

Line the blind frame up with the brackets so that the oval slot of the frame is aligned to the bracket prong.



Enjoy your newly installed blind from Blinds 4 You

We are here to help you enjoy your new blinds and you will find lots of other useful information on our website. If you need to contact us, please visit www.Blinds4You.co.uk/contactus for more details.