

Blinds4You

Fitting Guide for Curtains and Headings

Now you have received your new curtains from us, fitting for your new curtains is easier than you might think! All you have to do is follow our simple tips, double-check everything you do and set aside some time to do it.

This guide works for:

- Curtains with Poles
- Curtains with Tracks

WARNING! Please take care when unpacking your curtains, do not use a knife or any sharp objects when unpacking.

Step 1 – Fitting a curtain pole/rail

You'll need a new or existing curtain track or pole to hang your curtain from. If you're fitting a new track or a pole, please follow the manufacturer's instructions provided.

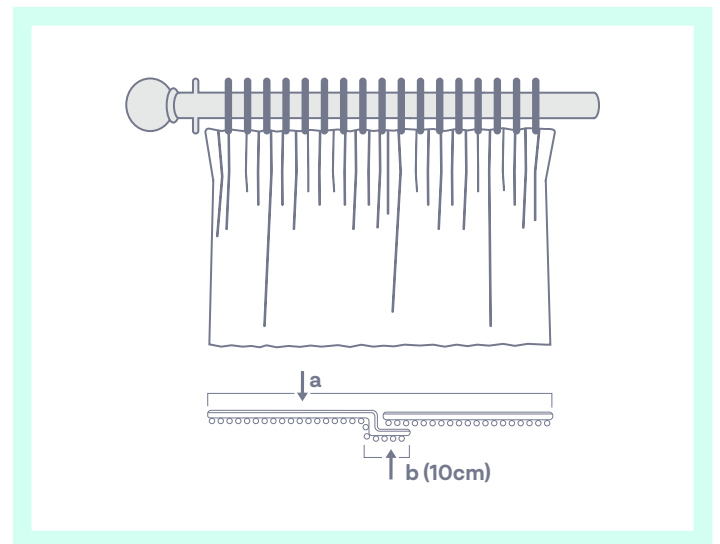
Step 2 – Fitting the curtains

Please find your curtain heading type and follow the steps to fit them:

2.1: Fitting pencil pleat curtains

Check the width. Even though you will have measured the width of your curtain in the ordering stage, the first thing you need to do before hanging your pencil pleat curtain is to measure the total distance your curtains need to cover on your pole or rail and add 10 cm to allow for overlap when your curtains are closed.

Handy Tip: When unpacking your curtains you may find creases or pressure marks, but these will normally fall out quickly after hanging in a warm room. Alternatively, the curtain (except velvet) may be lightly ironed, please refer to 'Step 4' for guidance.



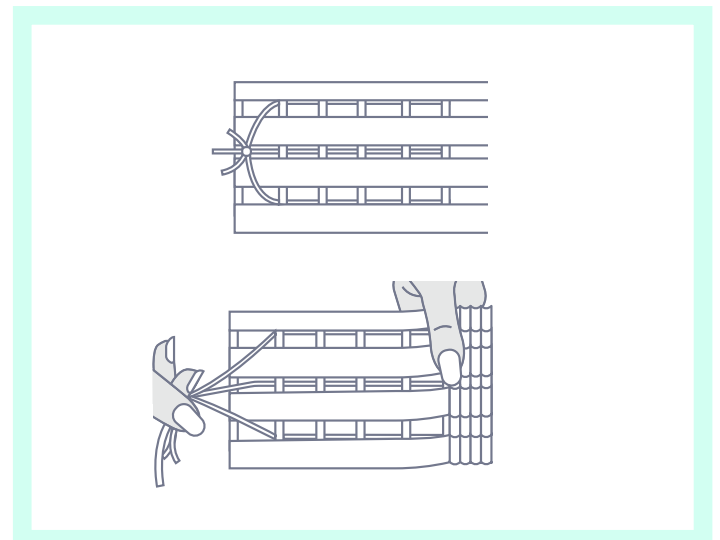
Gathering

Check the heading tape cords are securely tied at each end before you commence gathering the curtain.

You will gather one curtain from the left side and one from the right, to allow the excess cords to hang away from the centre of the window. Pull a short section of cord from the tape and carefully push the fabric along the cords to form the pleats.

Pull the cords evenly so that the pleats look nice and straight. It's easier to check the evenness of the pleats by looking at the heading tape rather than the actual pleats in the curtain.

Handy Tip: In the unlikely event that you do accidentally unravel the heading tape, simply get a tapestry needle to re-thread the cords through the holes.



Tie the curtains off

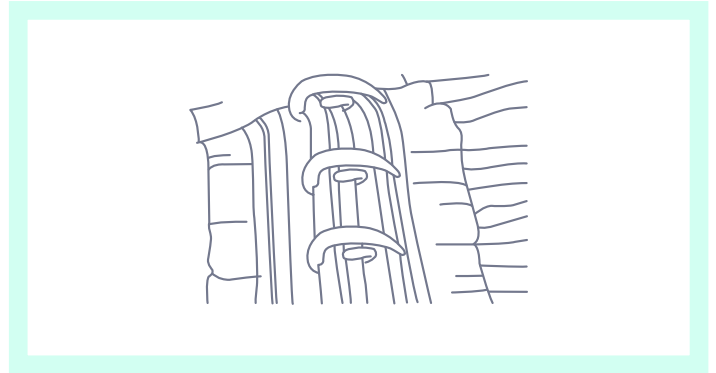
Once you've arranged the curtain fabric to form pleats and you're happy with the width of the curtain, tie the cords. Don't cut the cords though as you may at some point want to loosen the curtain for cleaning or maybe to hang at a different window. The loose cords can be tucked out of sight behind the heading tapes.

Inserting the hooks

Count the number of gliders or rings that you have on your track or pole and then divide them in half; this is the number of hooks that you need to attach to each curtain.

Before you put the hooks into the pockets it's worth placing them loosely on top of the heading tape to ensure an even distance between the hooks. Make sure that you place a hook on the outside edge of each curtain so that when the curtain is pulled closed it will stay securely at the end of the track or pole. It's worth considering the position of the hook on the leading edge too. Place it so that you can achieve a nice 'overlap' with the other curtain when they are closed.

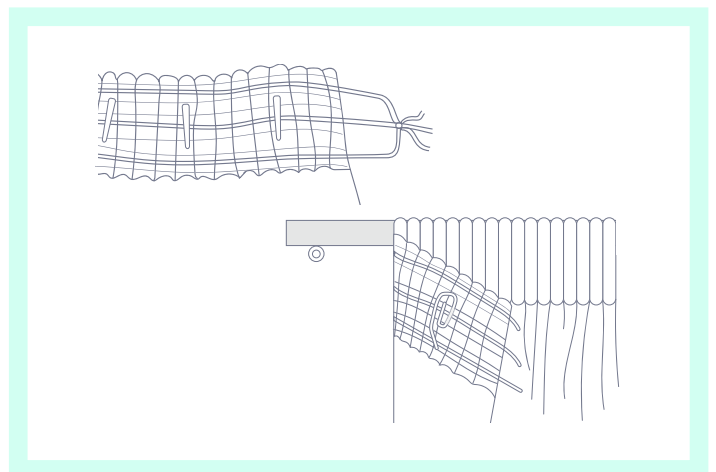
If you have a curtain pole, attach the final curtain hook between the bracket and the finial and for a curtain track, attach it to the fixed glider at the end. The heading tape has three rows of pockets. For curtain tracks you will need to insert the hooks into the low or middle row of pockets so that the heading hides the track. For poles, insert the hooks into the top row of pockets so that the curtain hangs below the pole. Just make sure you insert the hooks into the pockets rather than onto the cords! Now just pop the hooks into the pockets on your chosen row and you're ready to hang your curtains.



Hanging your curtains

It's better to hang the curtain with help from someone else, the second person can hold the weight of the curtain while you attach them to the hooks.

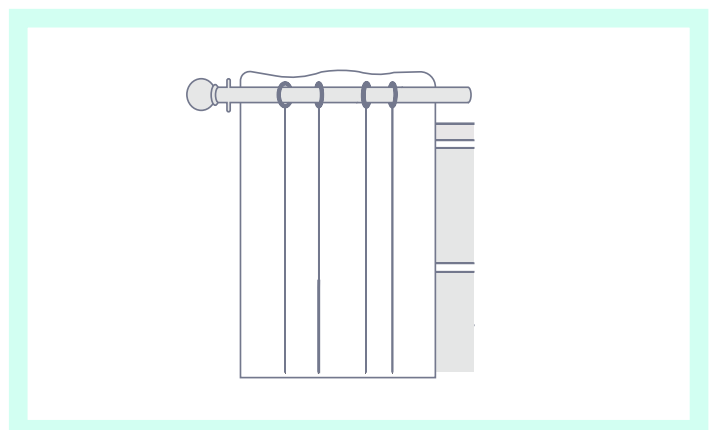
This will minimise the risk of your pleats moving when the curtains hang while you're attaching it to the hooks. If you don't have anyone to help you, put the curtain over one shoulder to take the weight and start hanging from the centre of the track.



2.2: Fitting eyelet heading curtains

The easiest curtain type to fit. All you need to do is feed each eyelet into the pole; make sure that the leading and outside edge of the curtain points inwards towards the window for a beautiful and finished look. Position the final eyelet between the bracket and the finial.

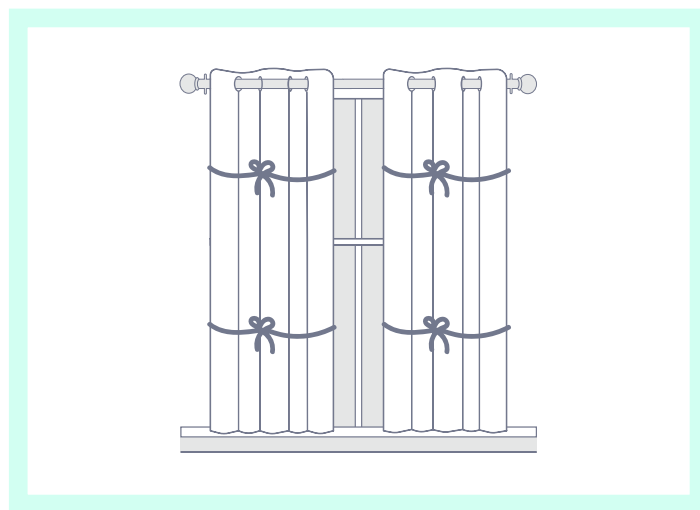
Handy Tip: All curtains will need time to settle and look their best. To help in this process we recommend you take some time to arrange your curtains into neat, even fullness folds for the first few days. Eventually you will build a 'memory' into the fabric and the curtains will hold their look.



Step 3 – Dressing your curtains

When curtains are first hung, they should be dressed to encourage them to fall into even folds.

1. To begin, draw the curtains back to the side of your window.
2. Starting from the outside edge, work from the top downwards and run your hands firmly down the length of each pleat or fold so that they fall into smooth pleats.
3. Ideally you should now tie your curtains. We recommend you cut strips from the plastic packaging your curtains have been delivered in, to tie around the whole curtain. They should hold the folds into position but not be so tight that they mark the fabric.
4. Leave in position for about 48 hours and then untie. Your curtains will now hang beautifully.



Step 4 – Looking after your curtains

We always recommend professional dry cleaning for all curtains. Before cleaning your curtains, remove all curtain hooks, untie the pencil pleat draw cords at one end and stretch the curtain out flat. For cleaning instructions please refer to the label in each curtain.

Shrinkage

We always recommend dry cleaning your curtains to minimise shrinkage.

Ironing

All curtains (except velvet) can be lightly ironed with a warm iron. Steam, excessive pressure or temperature should be avoided as these can stretch or shrink the fabric.

Velvets

Velvet pile is prone to flattening during transit or cleaning which can show as patches of darker and lighter shade. These marks will usually disappear when the curtains have been hung, but it may be necessary to assist by steaming (with a kettle) and brushing upwards to lift the pile.

Velvets and all lined or fringed products must always be dry cleaned and never ironed.

Enjoy your newly installed curtains from Blinds4You

We are here to help you enjoy your new curtains and you will find lots of other useful information on our website. If you need to contact us, please visit www.blinds4you.co.uk/contactus for more details.